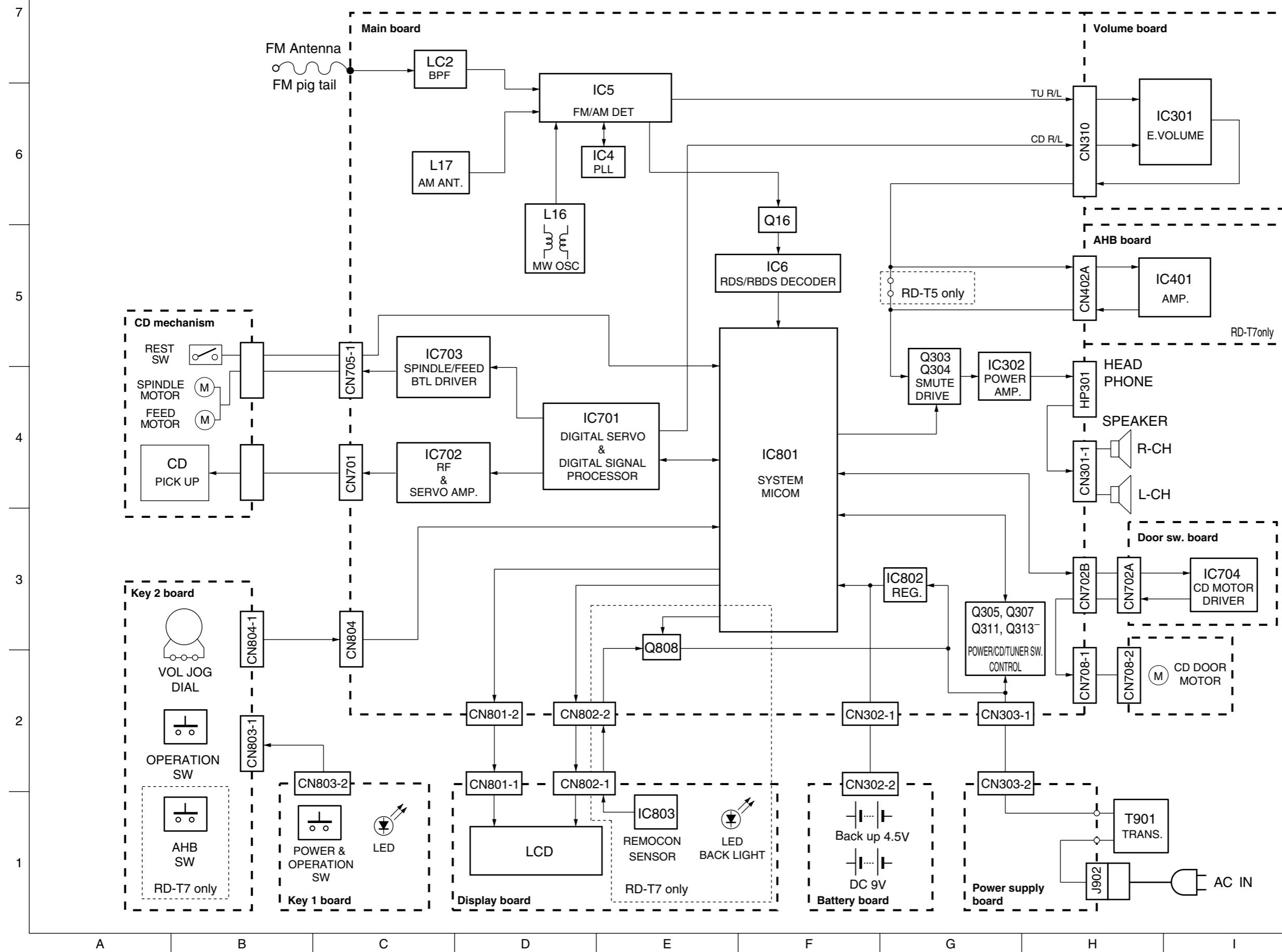


## ***Safety Precautions***

In regard with component parts appearing on the silk-screen printed side (parts side) of the PWB diagrams, the parts that are printed over with black such as the resistor (■), diode (▣) and ICP (●) or identified by the "△" mark nearby are critical for safety.

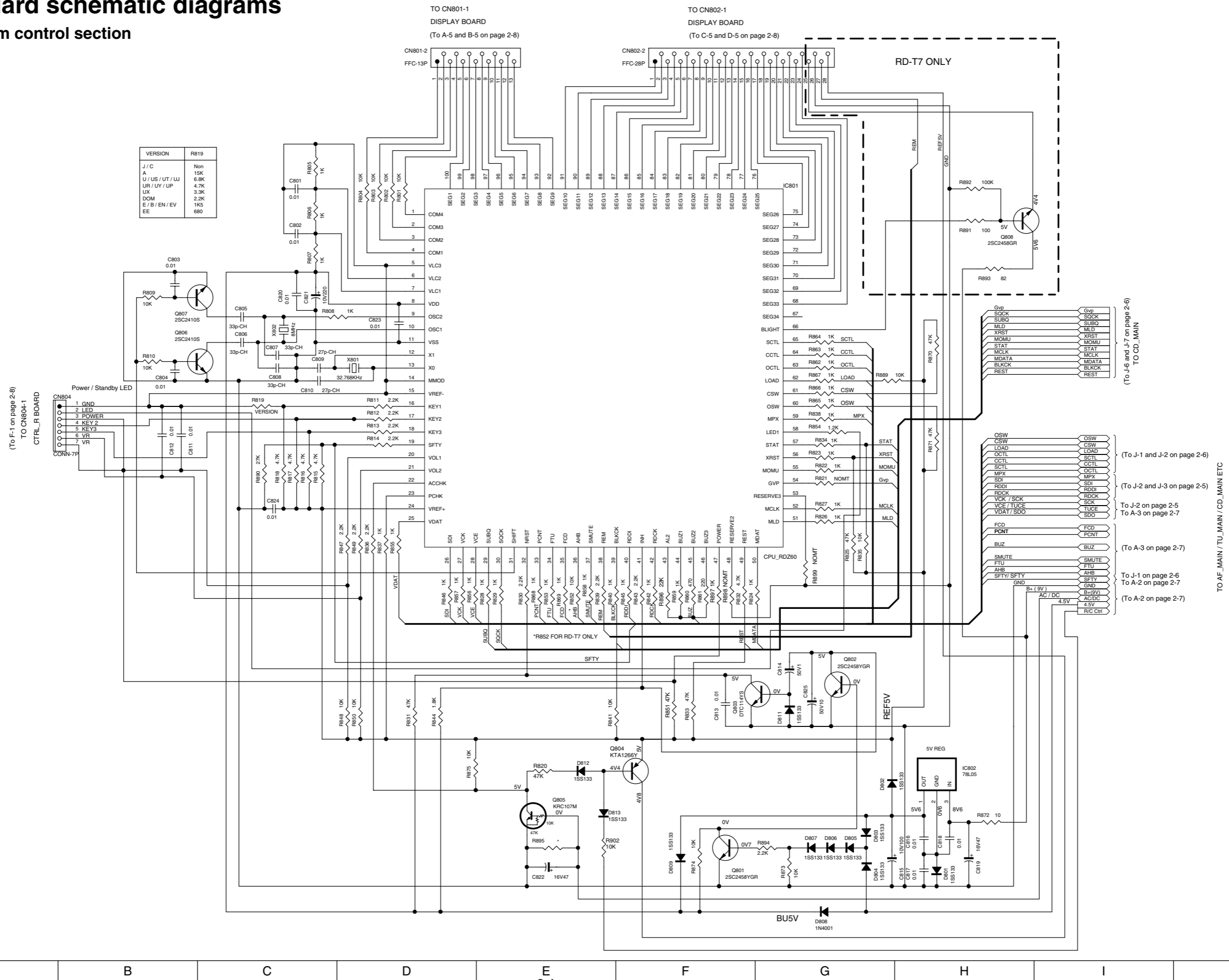
When replacing them, be sure to use the parts of the same type and rating as specified by the manufacturer.  
(Except the J and C version)

# Block diagram



# Standard schematic diagrams

## System control section



7  
6  
5  
4  
3  
2  
1

A B C D E F G H I J

Tuner section

IC5 LA1823					
PIN	FM	AM	PIN	FM	AM
1	1.27	1.26	13	3.57	4.05
2	1.27	1.26	14	3.64	3.02
3	4.36	4.68	15	3.64	0.74
4	4.36	4.68	16	1.23	1.27
5	2.08	2.54	17	1.23	1.27
6	0	0	18	1.27	1.27
7	0.01	1.12	19	1.0	0.32
8	4.32	4.68	20	4.25	4.64
9	4.36	4.67	21	4.24	4.64
10	1.27	1.26	22	4.25	4.66
11	1.27	1.26	23	0	0
12	0.10	0.45	24	0.95	0

IC4 LC72136					
PIN	FM	AM	PIN	FM	AM
1	2.5	2.71	13	0	0
2	0.02	5.84	14	0	0
3	0	0	15	2.51	2.71
4	5.09	5.38	16	2.51	0
5	5.08	5.26	17	5.05	5.38
6	5.08	5.35	18	0.89	0.93
7	3.64	3.02	19	0	0.93
8	3.64	0.02	20	1.82	1.17
9	0	0	21	0	0
10	0.2	0	22	2.36	2.53
11	0	0			
12	0	0			

IC6 BU1923					
PIN	FM	AM	PIN	FM	AM
1	2.60	0	13	2.17	0
2	2.40	0	14	0	0
3	2.72	0	15	0	0
4	2.68	0	16	2.53	0
5	5.04	0			
6	0	0			
7	0	0			
8	2.70	0			
9	0.4	0			
10	0	0			
11	0	0			
12	5.04	0			

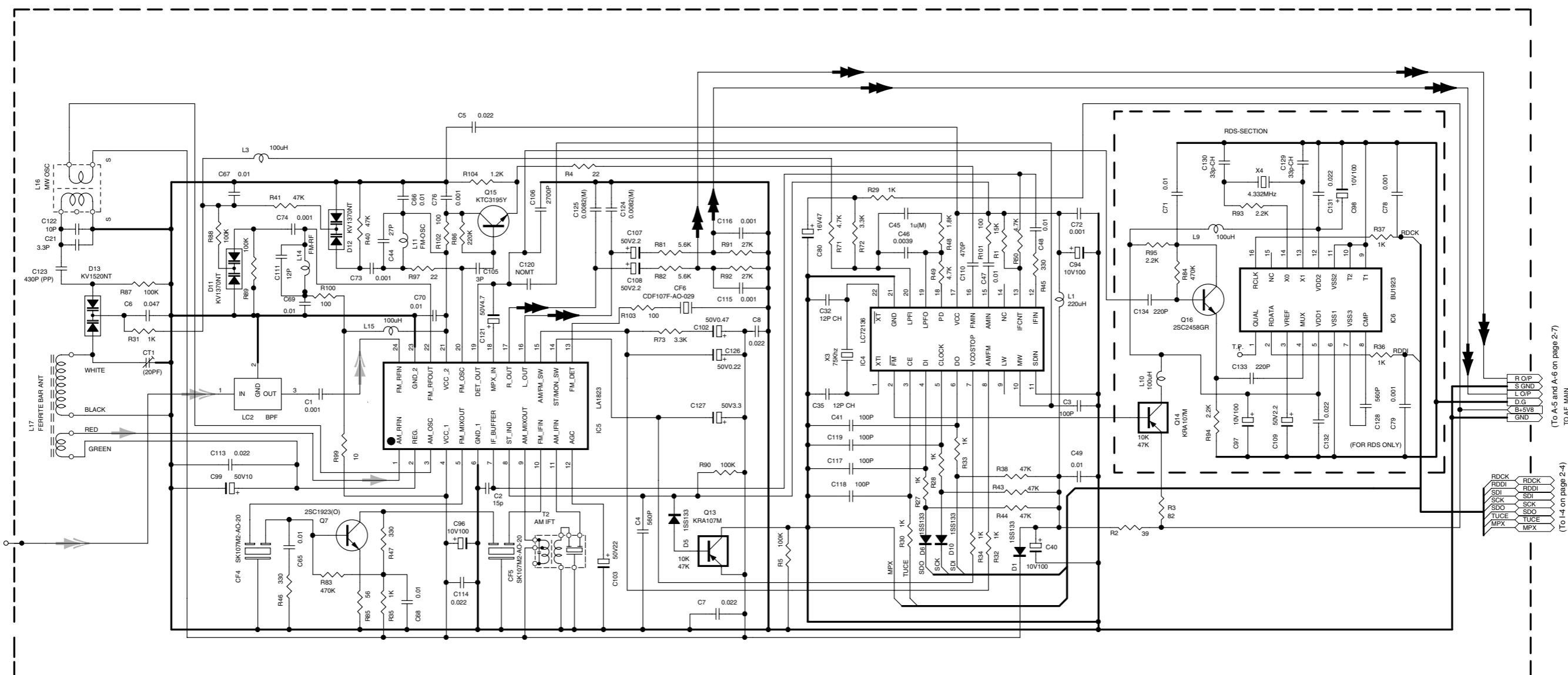
Q7 2SC1923(O)		
PIN	FM	AM
E	0.03	0.03
C	3.55	3.82
B	0.73	0.74

Q15 KTC3195Y		
PIN	FM	AM
E	1.40	1.55
C	4.10	4.51
B	2.10	2.26

Q13 KRA107M			
PIN	FM MONO	FM STEREO	AM
E	4.34	4.34	4.68
C	0	4.10	0
B	4.32	0.8	4.66

Q16 2SC2458GR		
PIN	FM	AM
E	1.30	0
C	3.66	0
B	2.0	0

Q14 KRA107M		
PIN	FM	AM
E	5.21	5.86
C	5.14	0
B	0.02	5.80

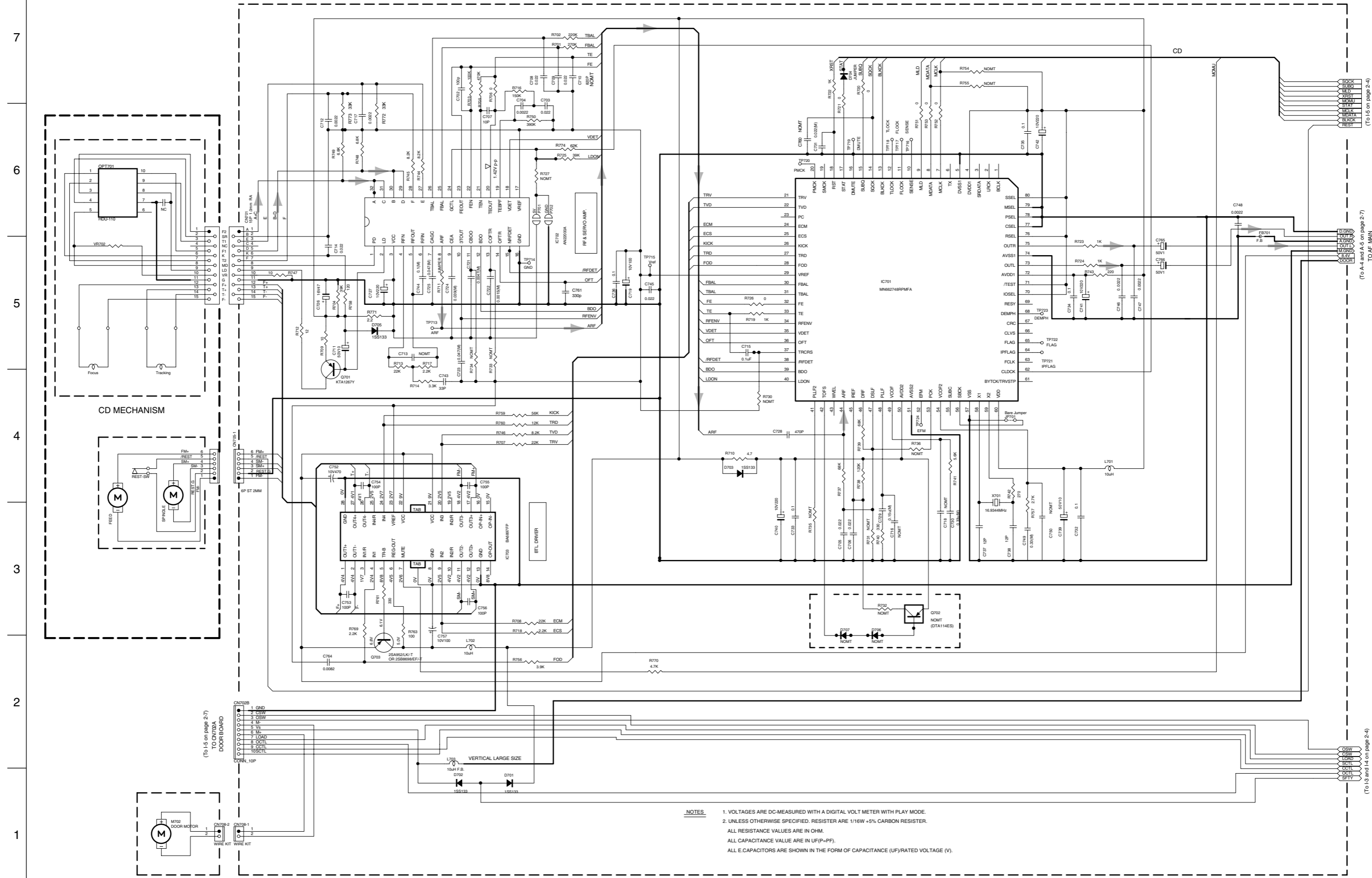


- ➡ AM RADIO SIGNAL
- ➡ FM RADIO SIGNAL
- ➡ RADIO SIGNAL

(To A-5 and A-6 on page 2-7)  
TO AF\_MAIN

(To I-4 on page 2-4)  
TO AF\_MAIN

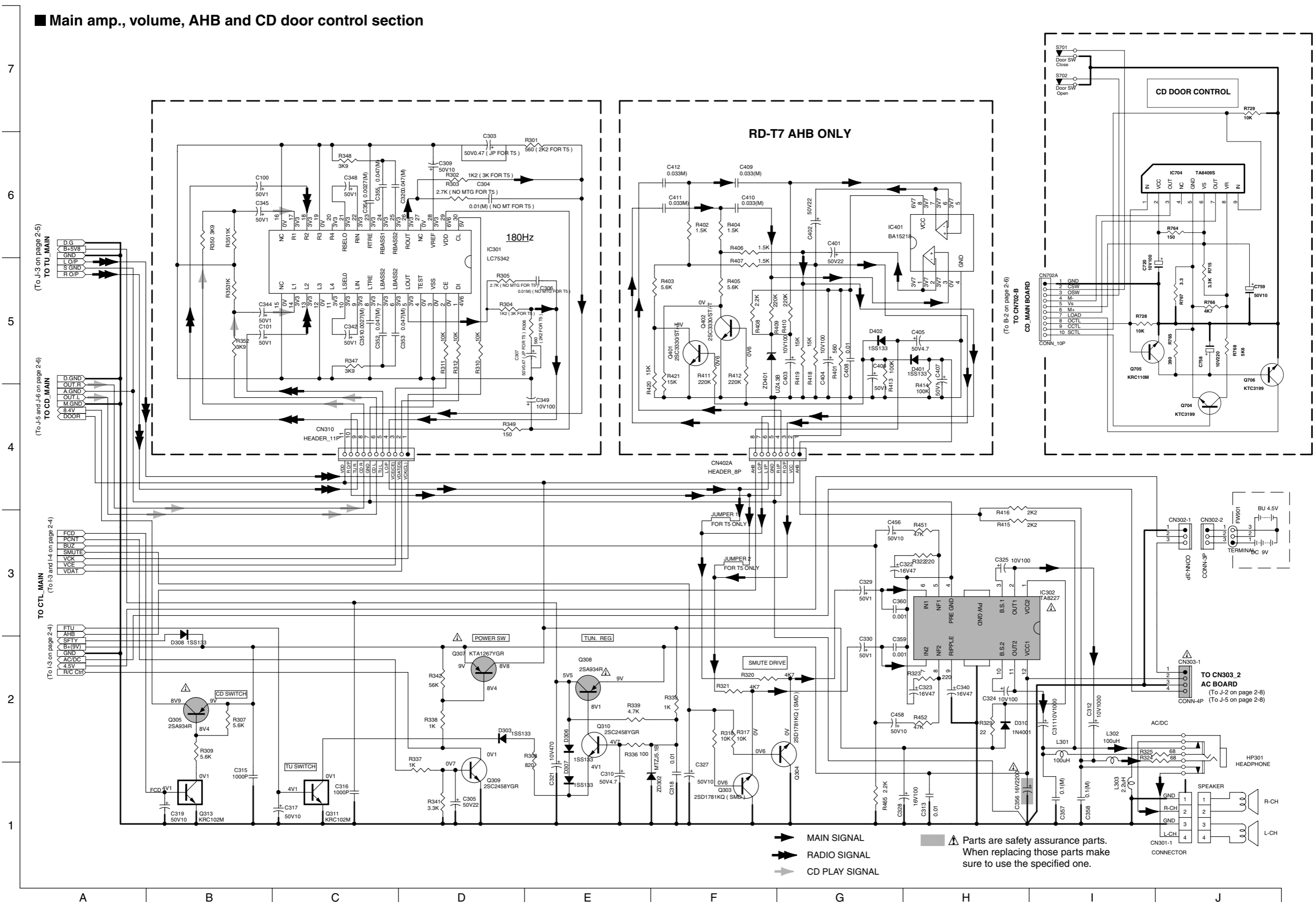
CD servo control section



- NOTES**
1. VOLTAGES ARE DC-MEASURED WITH A DIGITAL VOLT METER WITH PLAY MODE.
  2. UNLESS OTHERWISE SPECIFIED, RESISTOR ARE 1/16W +5% CARBON RESISTOR.  
ALL RESISTANCE VALUES ARE IN OHM.  
ALL CAPACITANCE VALUE ARE IN UF(P-PF).  
ALL E-CAPACITORS ARE SHOWN IN THE FORM OF CAPACITANCE (UF)/RATED VOLTAGE (V).

CD PLAY SIGNAL

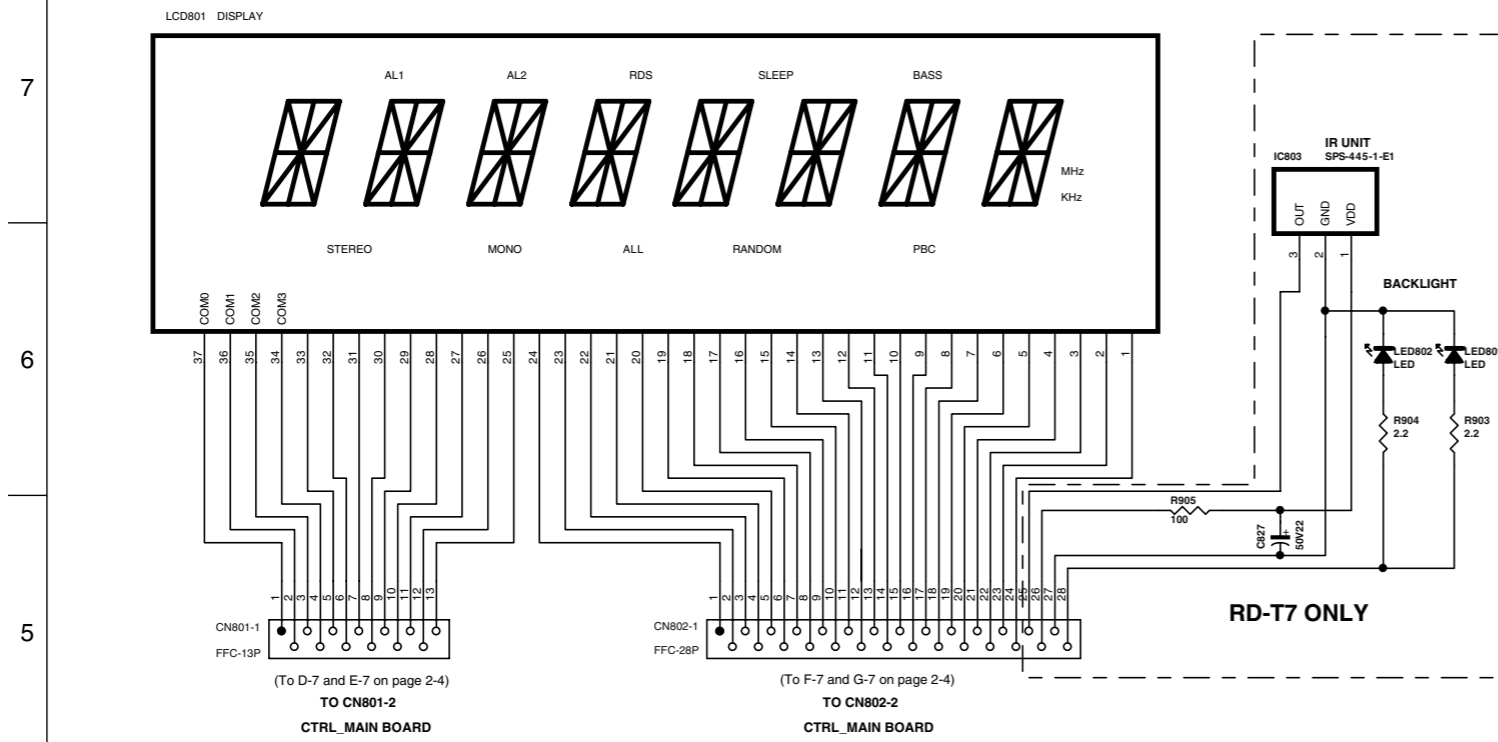
■ Main amp., volume, AHB and CD door control section



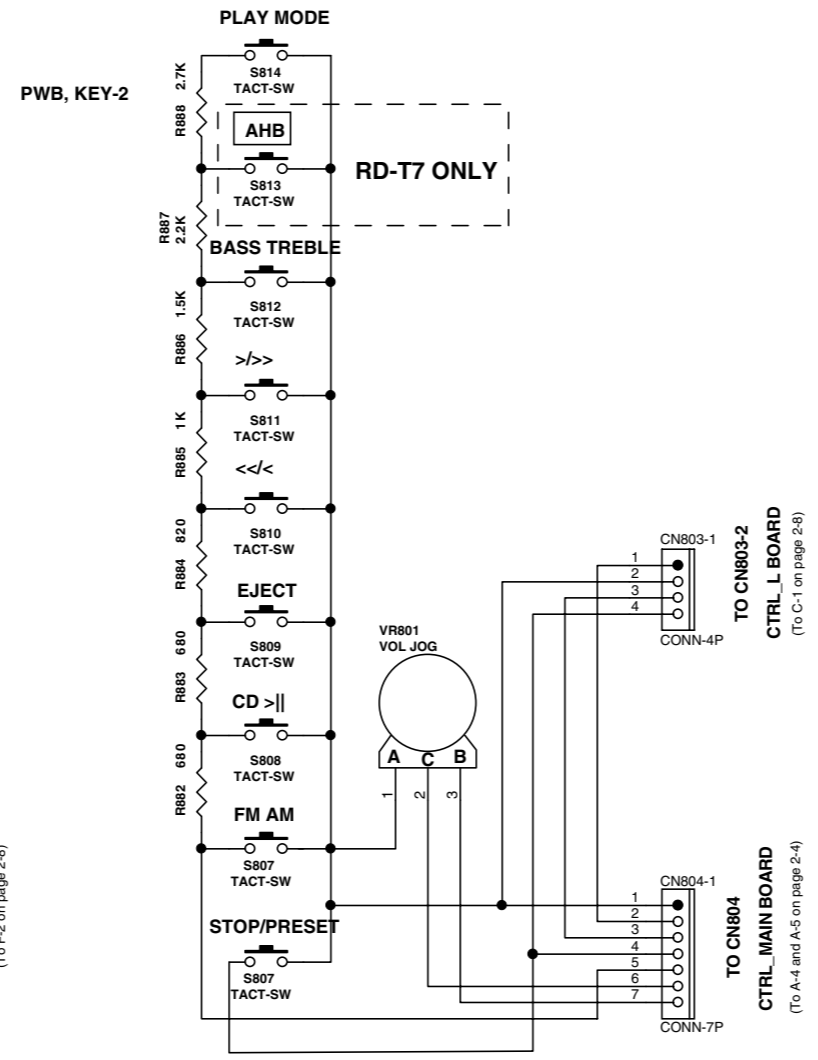
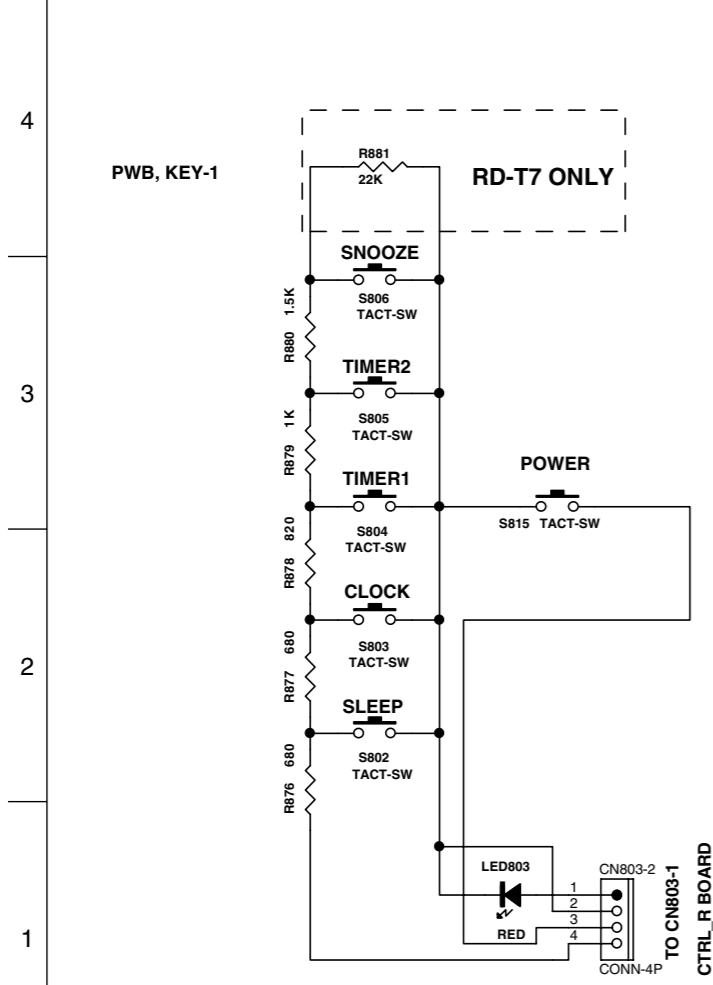
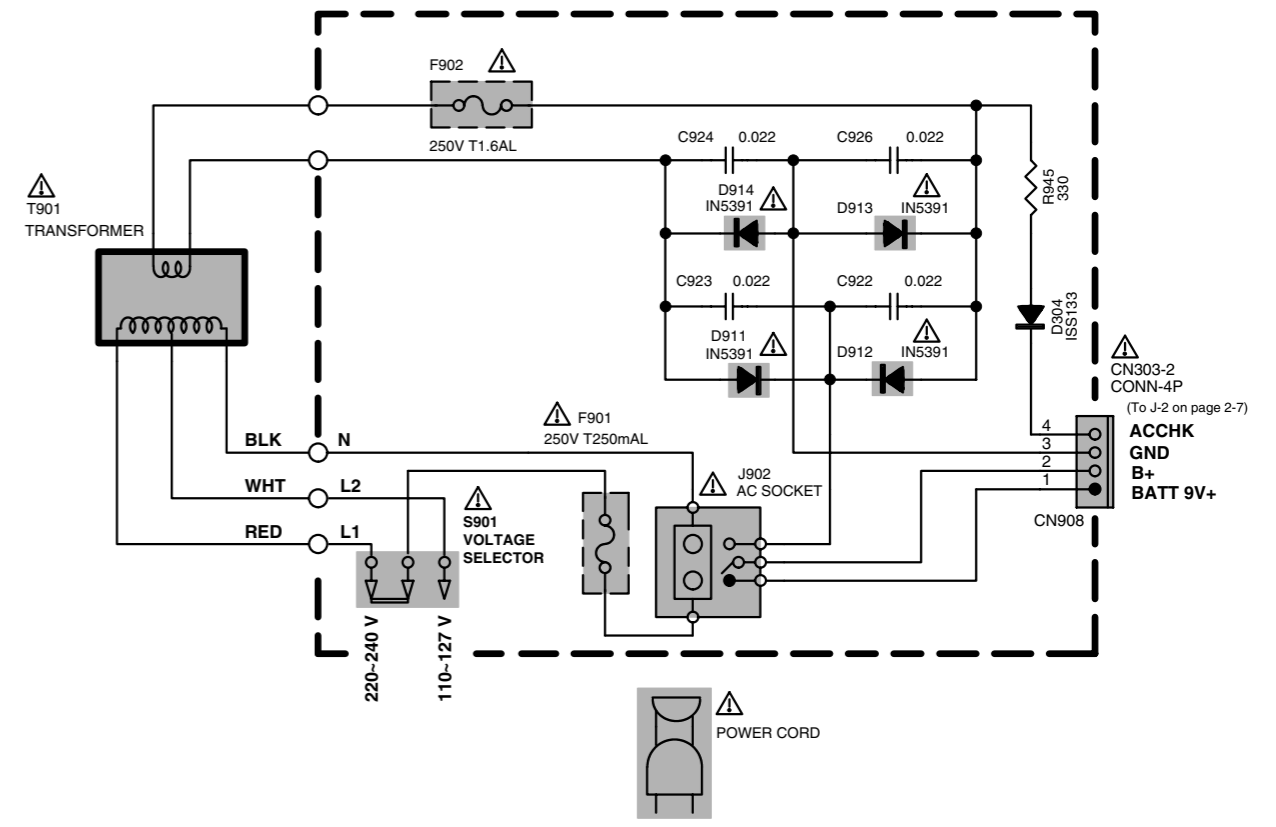
➔ MAIN SIGNAL  
➔ RADIO SIGNAL  
➔ CD PLAY SIGNAL

⚠ Parts are safety assurance parts.  
 When replacing those parts make  
 sure to use the specified one.

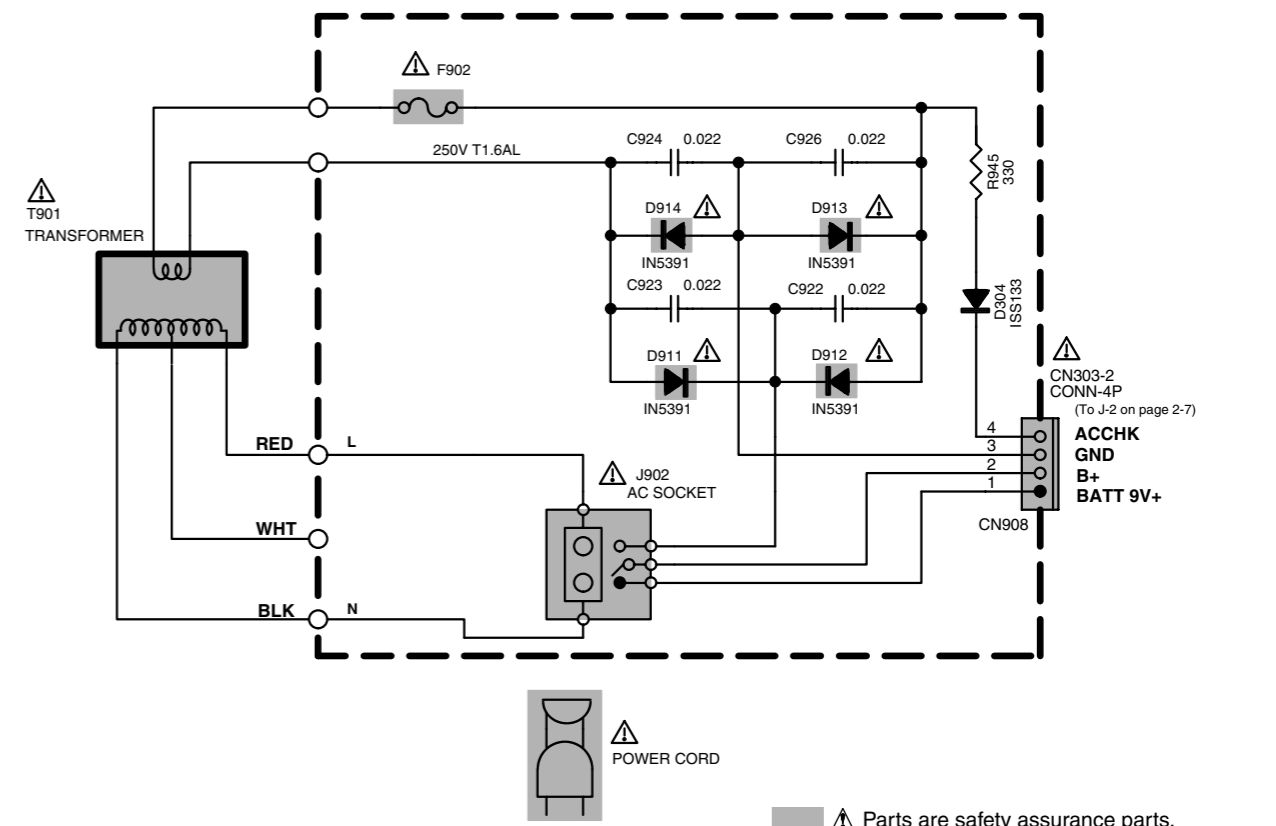
FL display, key-1, key-2 and power supply section



UJ / US / UT VERSION



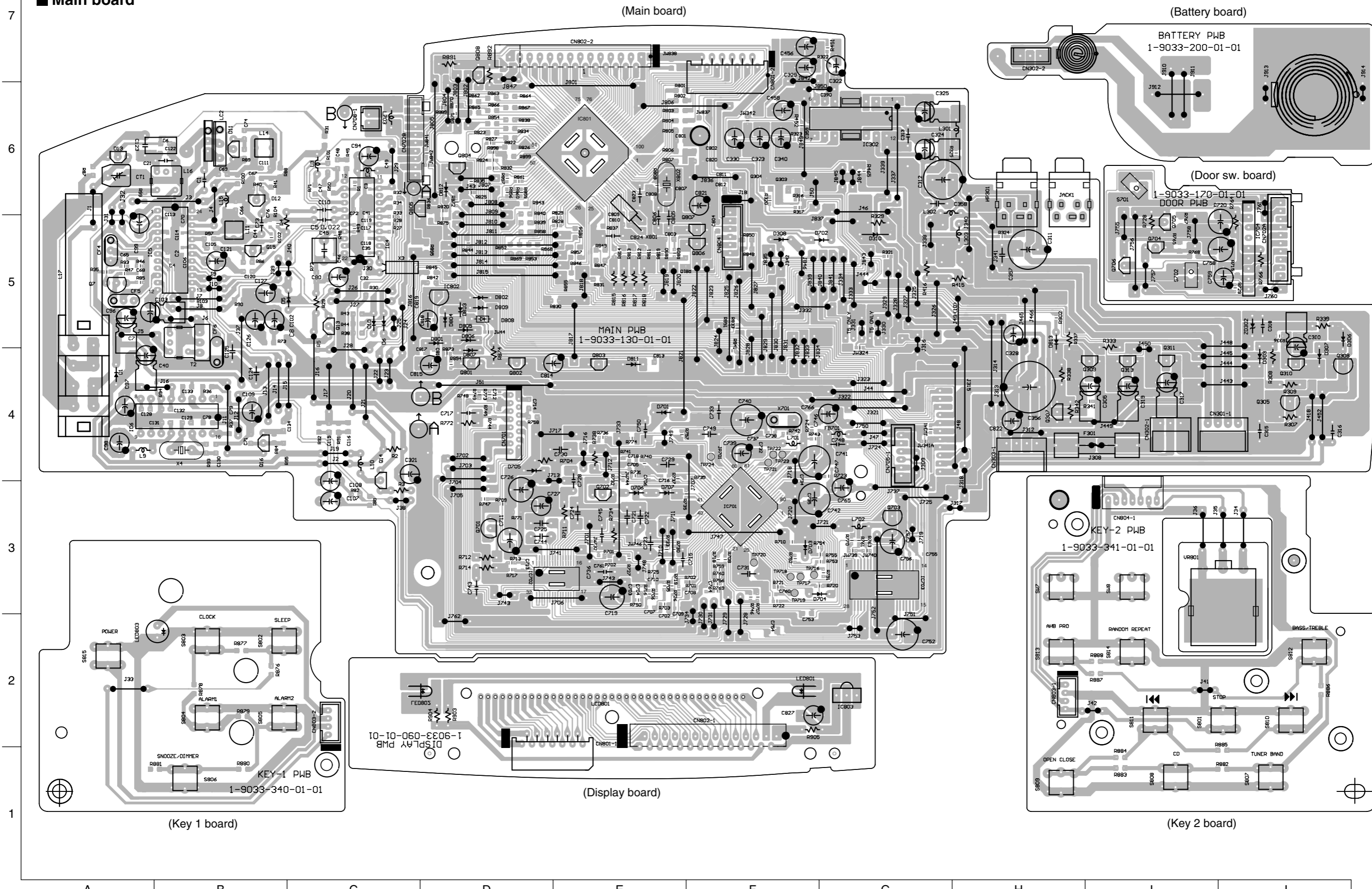
UY VERSION



Parts are safety assurance parts. When replacing those parts make sure to use the specified one.

# Printed circuit boards

■ Main board



A B C D E F G H I J

7  
6  
5  
4  
3  
2  
1





— MEMO —